



Kinetrol D-Line Damped Manual Fail-Safe

Specially designed dampened manual fail-safe lever-operated devices engineered to safely control larger valves by hand while guaranteeing reliable positioning when left unattended.

FEATURE AND BENEFITS

- Manual unit, cannot be left in the wrong position Reliable torque delivery for valve reseal
- Safe and easy manual lever operation using Kinetrol's proven torque multiplier and energy-dissipating rotary dashpot damping units
- 180° lever input with 90° spring action (clockwise or counter clockwise)
- ATEX as standard
- All units sealed to IP65 to protect from internal corrosion

MATERIALS OF CONSTRUCTION

- Spring case: Diecast aluminium alloy - epoxy stove enamel coating
- Clock type spring: Carbon spring steel
- Torque multiplier: Diecast aluminium alloy - epoxy stove enamel coating
- Energy-dissipating dashpots: Zinc alloy
- Shafts: Stainless steel or zinc plated carbon steel
- Locking plate: Mild steel - epoxy stove enamel coating
- Manual lever: Stainless steel

OPERATING TEMPERATURE

Standard: -40°C to 80°C (-40°F to 176°F)



MODELS

Metric			Imperial		
Model	Maximum Allowable Valve Torque ** (Nm)	Weight (kg)	Model	Maximum Allowable Valve Torque ** (lbf ins)	Weight (lb)
074-M20-P	42.4	10	077-M20-P	375	22.05
084-M20-P	65.5	12	087-M20-P	580	26.50
094-M20-P	93.8	14	097-M20-P	830	30.85
103-M20-P	143.0	28	107-M20-P	1270	61.75

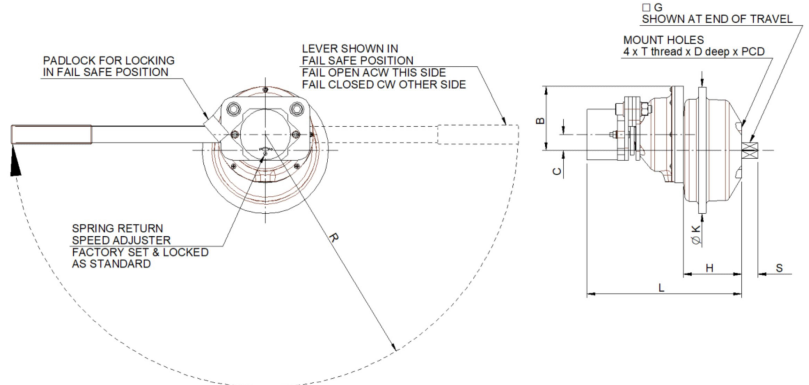
** maximum allowable valve torque will not exceed 360 N lever pull force as per API 6D / S-562 requirements.



The direction of the spring action and unit is determined by looking from above with the mounting face at the bottom. Suffix M20 clockwise, suffix M30 counter clockwise.

Metric Units (mm)											
Model	L	H	ØK	ØG	S	B	C	R	T	D	PCD
074	235	82	152	16	20	101	25	200	M8	16	50.9
084	240	87	174	17	19	101	25	300	M8	16	70.0
094	245	92	200	19	26	101	25	400	M10	20	65.0
103	326	110	206	22	26	138	35	600	M10	16	102.0

English Units (in)											
Model	L	H	ØK	ØG	S	B	C	R	T	D	PCD
077	9.3	3.23	6.00	0.630	0.79	4.0	1.0	7.9	5/16-18 UNC	0.63	2.00
087	9.5	3.43	6.85	0.669	0.75	4.0	1.0	11.8	5/16-18 UNC	0.63	2.76
097	9.6	3.62	7.90	0.748	1.02	4.0	1.0	15.8	3/8-16 UNC	0.79	2.58
107	12.8	4.33	8.11	0.866	1.02	5.4	1.4	23.6	3/8-16 UNC	0.63	4.02



D-LINE DAMPED MANUAL FAIL-SAFE

The Kinetrol D-Line Damped Manual Fail-Safe is a revolutionary solution for 90-degree rotational applications that prioritizes safety, reliability, and ease of use. This innovative device features a damped spring stroke that effectively dissipates kinetic energy, allowing for safe operation even at higher spring torques. With the fail-safe spring design, you can rest assured that the valve will always return to the correct position after use, eliminating the risk of costly errors. The torque multiplier reduces the force required to operate the device and minimizes the packaging envelope, making it a compact and efficient choice. The lockable design prevents unauthorized use, while the adjustable dampening allows you to select the speed of the spring stroke to suit your specific needs. With a torque range from 380 in-lbs to 1265 in-lbs, the Kinetrol D-Line Damped Manual Fail-Safe is versatile enough to handle various applications. ATEX Cat 2 is approved for hazardous environments and boasts an IP65 rating to protect against internal corrosion; this device withstands even the most challenging conditions. Upgrade your valve control system with the Kinetrol D-Line Damped Manual Fail-Safe and experience unparalleled safety, reliability, and performance.