

Geared Manual Overrides

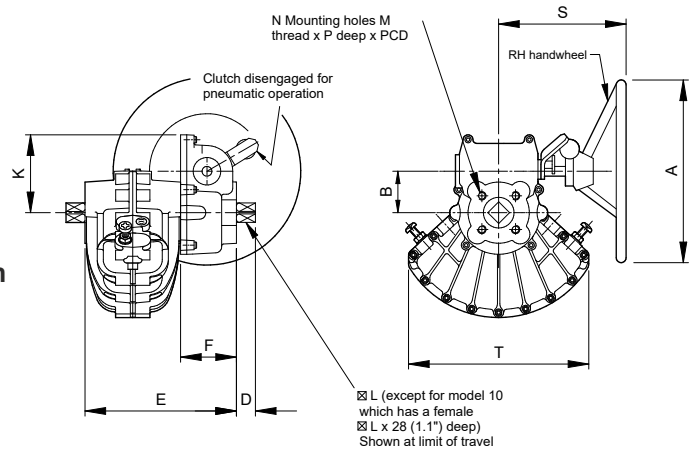


- Declutch lever switch available
- Corrosion resistant - fully sealed to IP65

PHOTO SHOWS LEFT HAND HANDWHEEL.

Kinetrol declutchable geared overrides are available for models 05 to 20 (excluding model 15), rated for the same torques as the actuators and fitted between the actuator and the load. The standard unit is supplied with the right hand handwheel option (see drawing below), whereby when the handwheel is moved in a clockwise direction the actuator moves in a counter clockwise direction. A left hand handwheel option is also available on some models (see below).

Dimensions



DRAWING SHOWS RIGHT HAND HANDWHEEL.

Handwheel Orientation

Models 05 - 14
Standard - Right Hand
- Left Hand option available

Models 16 - 20
Standard - Left Hand only

Working Temperature Range

-20°C to +80°C

Metric Units

Actuator Model (ISO)	A mm	B mm	D mm	E mm	F mm	K mm	∅L mm	M	N No.	P mm	PCD mm	S mm	T mm	Wt kgs
05	300	67.8	13	170	103	127	9.5	M5	6	12	34.9	220	137	9.18
07	300	67.8	20	192	92	127	16.0	M8	4	16	50.9	220	178	11.20
08	300	67.8	19	202	92	127	17.0	M8	4	16	70.0	220	208	10.61
09	300	67.8	26	218	92	127	19.0	M10	4	20	65.0	220	227	12.06
10	300	67.8	-	267	92	127	22.0	M10	4	20	102.0	220	230	13.40
12	300	67.8	31	248	92	127	25.0	M12	4	25	77.8	220	294	15.40
14	400	67.8	38	292	92	127	28.6	M16	4	28	98.8	250	380	22.36
16*	600	141.0	55	462	188	200	41.0	M20	4	28	165.0	376	530	45.00
18*	920	165.0	78	655	295	225	57.0	M16	8	24	254.0	440	679	75.00
20*	610	150.0	100	600	240	300	75.0	M30	8	35	226.3	640	679	113.00

English Units

Actuator Model (ANSI)	A inch	B inch	D inch	E inch	F inch	K inch	∅L inch	M UNC	N No.	N inch	PCD inch	S inch	T inch	Wt lbs
05	11.81	2.67	0.51	6.69	4.06	5.0	0.375	10-24	6	0.47	1.375	8.66	5.39	20.2
07	11.81	2.67	0.79	7.56	3.62	5.0	0.630	3/8	4	0.63	2.000	8.66	7.01	24.7
08	11.81	2.67	0.75	7.95	3.62	5.0	0.670	3/8	4	0.63	2.760	8.66	8.19	23.4
09	11.81	2.67	1.02	8.58	3.62	5.0	0.748	3/8	4	0.79	2.560	8.66	8.94	26.6
10	11.81	2.67	-	10.51	3.62	5.0	0.866	3/8	4	0.79	4.016	8.66	9.06	29.5
12	11.81	2.67	1.22	9.76	3.62	5.0	0.984	1/2	4	0.98	3.060	8.66	11.57	33.9
14	15.70	2.67	1.50	11.50	3.62	5.0	1.125	3/4	4	1.10	3.890	9.84	14.96	49.2

Handwheel Orientation

MODEL	RH HANDWHEEL		LH HANDWHEEL	
	HANDWHEEL DIRECTION	OUTPUT DIRECTION	HANDWHEEL DIRECTION	OUTPUT DIRECTION
05 to 14	CW	CCW	CW	CW
	CCW	CW	CCW	CCW
16 to 20	N/A		CW	CW
	N/A		CCW	CCW

Ordering Codes

Models 05 to 14:

- (Standard right hand handwheel)
Example: 074 K/Box (ISO Version)
077 K/Box (ANSI Version)

- (Left hand handwheel)

Example: 074 K/Box LH (ISO Version)

* For model 16, 18 and 20 replace 'K' with 'G' and add 'LH'

Example: 164 G/Box LH (ISO Version)

